

Overview

The CP-D series is a 21.5" fanless industrial panel PC based on the Intel® 12th Gen Core™ i / N97 / Celeron® processor. It features a modular design to allow easy CPU board or I/O board upgrades to fulfill customer needs. The CP-D series offers low-power consumption, rich I/O connectivity, and Wi-Fi module expansion. It boasts a sleek design with an IP65 aluminum alloy front panel and a durable metal body, offering superior heat dissipation and high reliability for operation in harsh industrial environments.

The CP-D series is an excellent HMI platform for industrial applications and factory automation.

Features

- 21.5" LED-backlit LCD with capacitive or resistive touch screen
- Rugged aluminum enclosure and fanless design
- 12th Gen Intel® Core™ i / N97 / Celeron® processor
- 2x COM, 4x USB, 2x LAN, 1x VGA, 1x HDMI
- Supports Wi-Fi, 4G
- VESA 100 mount and panel mount compatibility
- IP65 compliant front panel

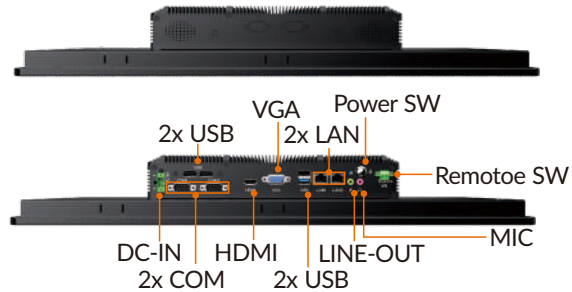


I/O Interfaces

J6412 / N97 / Core i5-1235U

The diagram illustrates the I/O interfaces of the CP-D2153. It shows the front view of the device, a side view, and a detailed view of the I/O board. The I/O board features the following connections: DC-IN, 2x COM, HDMI, 2x USB, VGA, 2x LAN, LINE-OUT, Power SW, Remote SW, and MIC.

Core i7-1255U



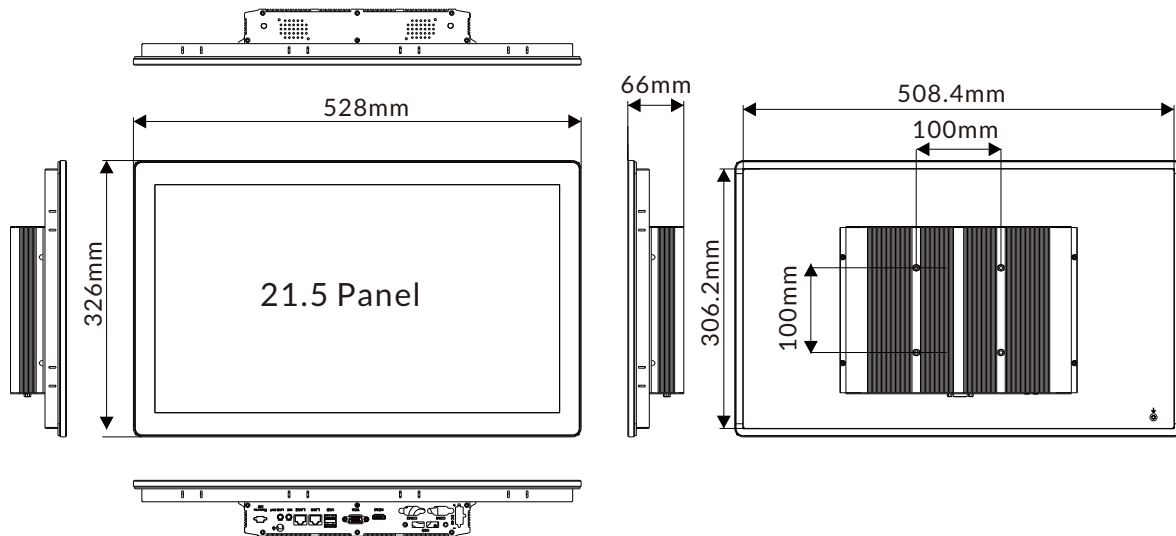
Specifications

Display				
Size	21.5 inch			
Touch Type	Projected capacitive multi touch 5-wire resistive touch			
Transmittance	87% (capacitive) / 80% (resistive)			
Control Interface	USB			
Surface Hardness	≥7H/≥3H			
Resolution	1920 x 1080			
Luminance	250 nits			
Contrast Ratio	1000: 1			
View Angles	89 (left), 89 (right), 89 (up), 89 (down)			
LED Lifetime	40,000 hrs			
Color	16.7M			
System				
CPU	Intel® Celeron® J6412 (2.0 GHz)	Intel® N97 (2.0GHz)	Intel® Core™ i5-1235U (1.3 GHz)	Intel® Core™ i7-1255U (1.7 GHz)
Memory	1x SO-DIMM DDR4-3200MHz, up to 16GB		2x SO-DIMM DDR4-3200MHZ, up to 64GB	
Storage	1x 2.5" SATA HDD/SSD (optional) 1x full length Mini PCIe for mSATA SSD		1x M.2 2280 NVME SSD 1x 2.5" SATA HDD/SSD (optional)	
I/O Ports				
USB	2x USB 3.0, 2x USB 2.0			
Serial	2x COM (COM1 supports RS-232, COM2 supports RS-232/422/485)			
Ethernet	2x GbE LAN			
Display	1x HDMI, 1x VGA			
SIM Card Slot	1x SIM slot for 4G (optional)			
Antenna	2x SMA antenna holes			

Expansion Slot			
M.2	1x M.2 support M.2 2230 Wi-Fi 1x M.2 support M.2 2242/2252 4G/5G		
RF Communication			
Wi-Fi	M.2 expansion (optional)		
Cellular	M.2 expansion (optional)		
Bluetooth	M.2 expansion (optional)		
Audio			
Audio	Mic in, line out		
Speaker	2Ω5W speaker (optional)		
Power			
Button	M8		
Remote Power On/Off	1x Remote switch connector		
DC Input	12VDC (9-36VDC optional)		
Power Connector	2-pin phoenix terminal		
Power Consumption	23W	25W	29W
Power Adaptor	AC-DC, 12V@5A, 60W		AC-DC, 12V@7A, 84W
Operating System			
Windows	Windows 10/11		
Linux	Ubuntu		
Mechanical			
Dimensions (W x D x H)	528 x 326 x 66 mm (20.7 x 12.8 x 2.6 inches)		
Weight (N.W.)	7.9 kg (17.4 lbs)		
Mounting	Panel mount, wall mount bracket VESA 100		
Material	Aluminum alloy panel, all-metal chassis		
Environment			
Operating Temperature	-10 to 50°C (14 to 122°F)		
Storage Temperature	-20 to 60°C (-4 to 140°F)		
Relative Humidity	10% to 95% @ 40°C (104°F), non-condensing		
Vibration	5-500Hz, 0.026 G ² /Hz, 2.16 Grms, X, Y, Z, 1 hour per axis		
IP Rating	IP65 compliant (for front panel)		
Certification			
EMC	CE, FCC		
Packing List			
Packing	1x CP-D2153 12x panel mounting buckles 1x warranty card		

Dimensions

J6412 /N97 /Core i5-1235U



Core i7-1255U

